

**Speaker**

**Model: OSS36-87-34A3.0W4**



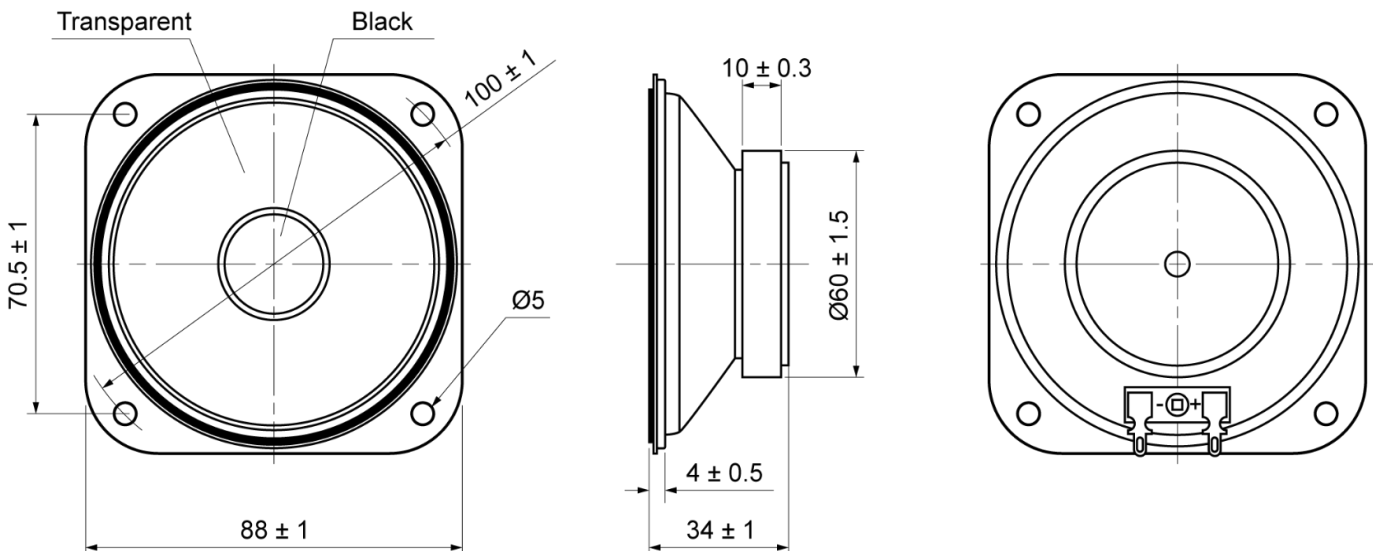
**ELECTRICAL SPECIFICATIONS**

	Condition	Parameter	Unit
Sound Pressure Level	at 0.1W, 0.1M [at 1.0, 1.2, 1.5, 2.0KHz]	100 ± 3	dB
Impedance	at 1V, 1000Hz	4 ± 15%	Ω
Rated Input Power		3	W
Max Input Power		6	W
Resonant Frequency (Fo)	at 1V	850 ± 20%	Hz
Frequency Range		850 ~ 5000	Hz
Buzzer & Rattles	not be audible at sine wave between 850 ~ 5KHz	3.46	V
Operating Temperature		-30 ~ 60	°C
Magnet		Ferrite	
Frame Material		Metal	
Cone Material		Mylar (PET)	
Weight		244	g

**MECHANICAL DRAWING**

Dimensions in mm

Tolerance ±0.5mm Except Specified



**Speaker**

Model: OSS36-87-34A3.0W4

**FREQUENCY RESPONSE CURVE**

